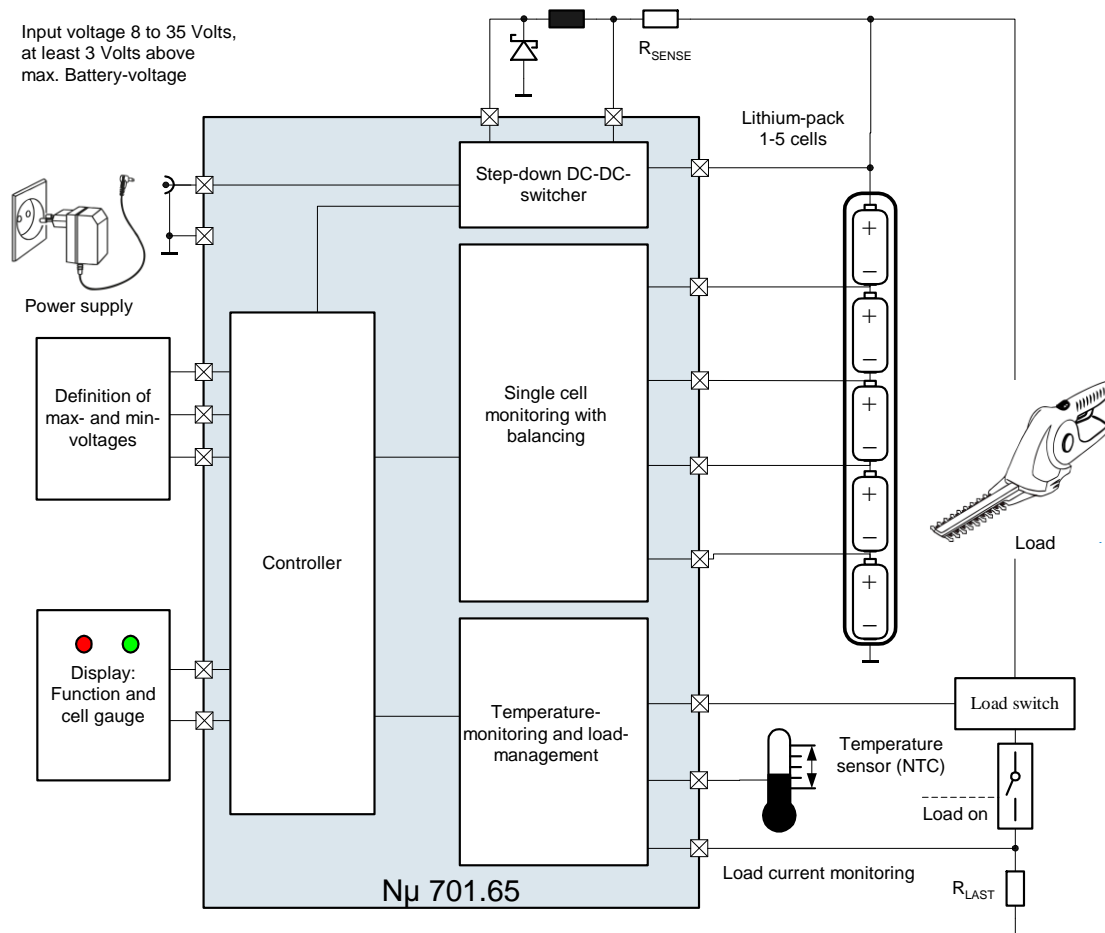


# One to Five Cell Li-Ion Charger-IC with Load-Management

## Features:

- Highly integrated including switching regulator on 7 x 7 mm<sup>2</sup>
- Charge current up to 700 mA adjustable through  $R_{SENSE}$
- Charging current up to 3 Ampere with additional external Transistor
- Easily adaptable to various Li-Ion chemistries
- Single cell monitoring
- Includes cell protective balancing
- State of operation indicated by 2 LEDs
- Load termination at low battery-gauge
- Overload and short circuit shutdown
- Temperature and load current monitoring
- High reliability and low production cost due to low parts count

**Application:** e.g. Hedge clipper, accumulator drill, power tools, flashlight



Data sheet and evaluation board available.